

Freestanding — Protective Screens

The Muraflex Protective Screens are freestanding and require no installation. Made of plexiglass, the screens are lightweight and easily moveable.

Floor Protective Screen

Description

Freestanding Floor Protective Screen

Dimensions

Acrylic panel: D1/8"

Maximum width (assembled): 48"

Maximum height (assembled): 96-1/8"

Maximum depth: 24"

Finish

Anodized clear aluminum

Lead Time

5-7 business days

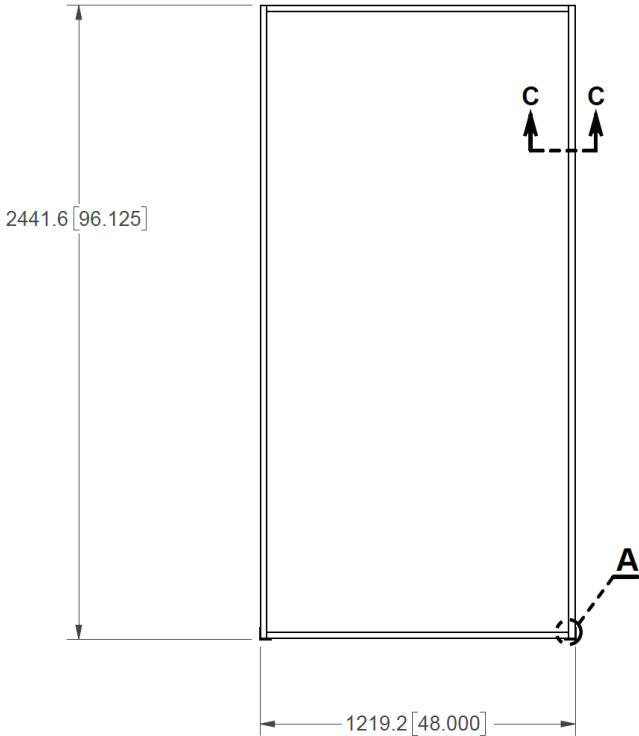
www.muraflex.com
info@muraflex.com



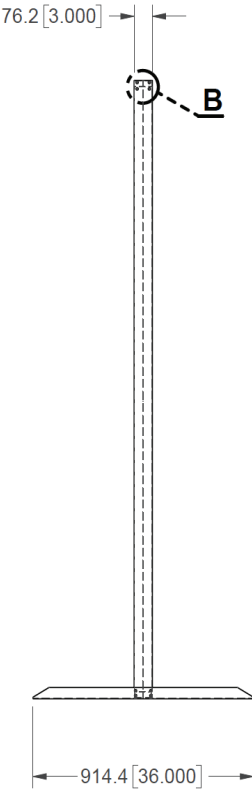
Clear Anodized Aluminum Finish
*Image may not accurately reflect actual finish



Freestanding — Protective Screens



View 1. Elevation



View 2. Section

Freestanding — Protective Screens

The Muraflex Protective Screens are freestanding and require no installation. Made of plexiglass, the screens are lightweight and easily moveable.

Countertop Protective Screen

Description

Freestanding Countertop Protective Screen

Dimensions

Acrylic panel: H31.5" x W36" x D1/8"

Maximum width (assembled): 8"

Maximum height (assembled): 36"

Finish

Anodized clear aluminum

Lead Time

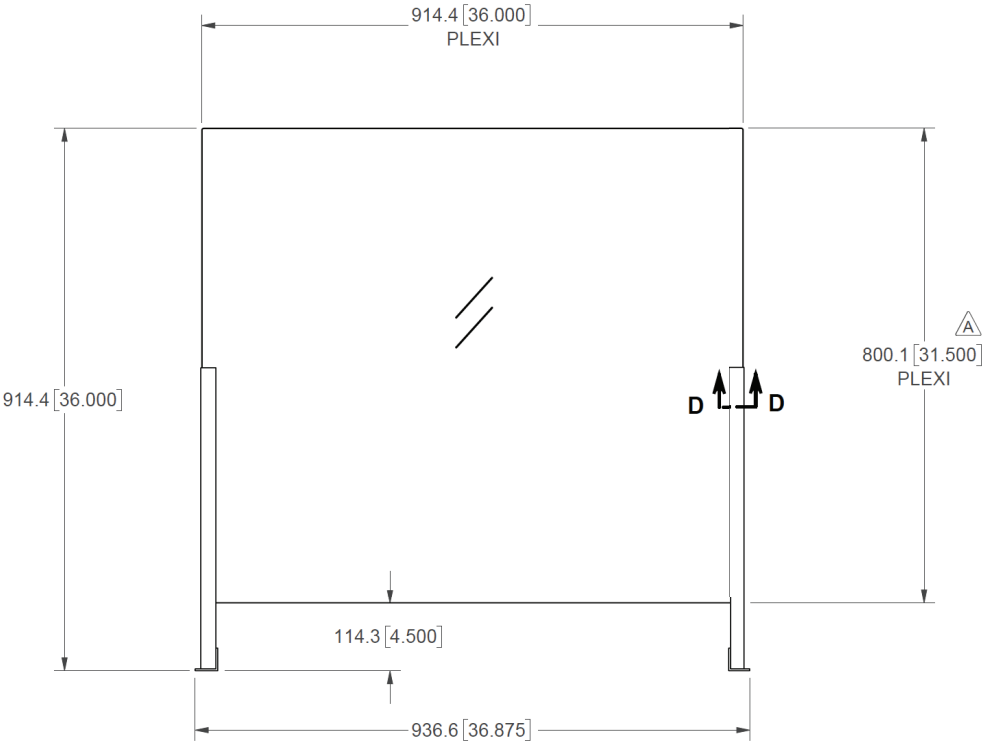
5-7 business days



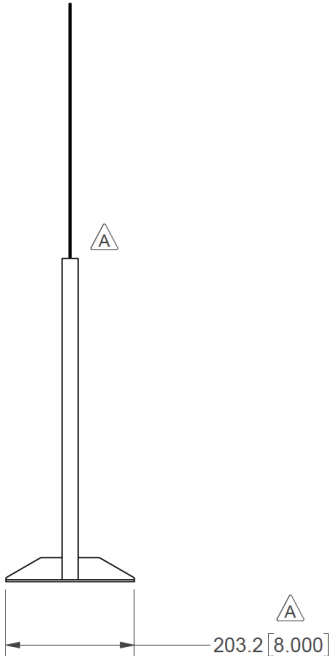
Clear Anodized Aluminum Finish
*Image may not accurately reflect actual finish



Freestanding — Protective Screens



View 1. Elevation



View 2. Section